



# SHOVEL LIGHTING

Heavy Duty Industrial Mining Applications



LED | LIGHTING CATALOG



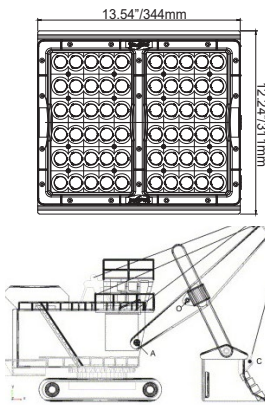
# ENGINEERED LIGHTING SOLUTIONS

**Vision X Lighting** fixtures are not merely lighting systems, they are engineered lighting solutions. They provide increased efficiency, increased safety, decreased environmental impact, and decreased costs. Vision X LED lights offer a large increase in energy efficiency over older technologies while also increasing the safety and productivity of the working environment by outputting 80% more light than the fixtures used previously.





# SOLUTION PROCESS



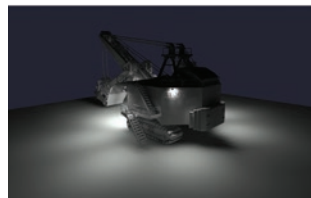
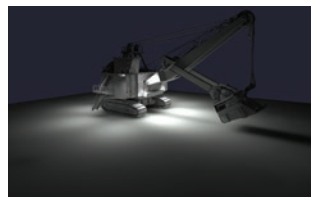
## 2D BLUEPRINT

Vision X Lighting begins each project with a customer provided list of machines to be retrofitted, then gathers the technical information for those machines.



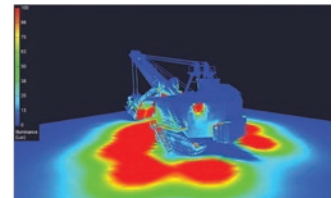
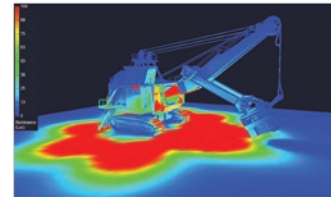
## 3D MODEL

A 3D model is built to the customer's specifications, then carried over into the rendering.



## SIMULATION RENDER

A simulation rendering ensures the final product will meet the customer's lighting requirements.

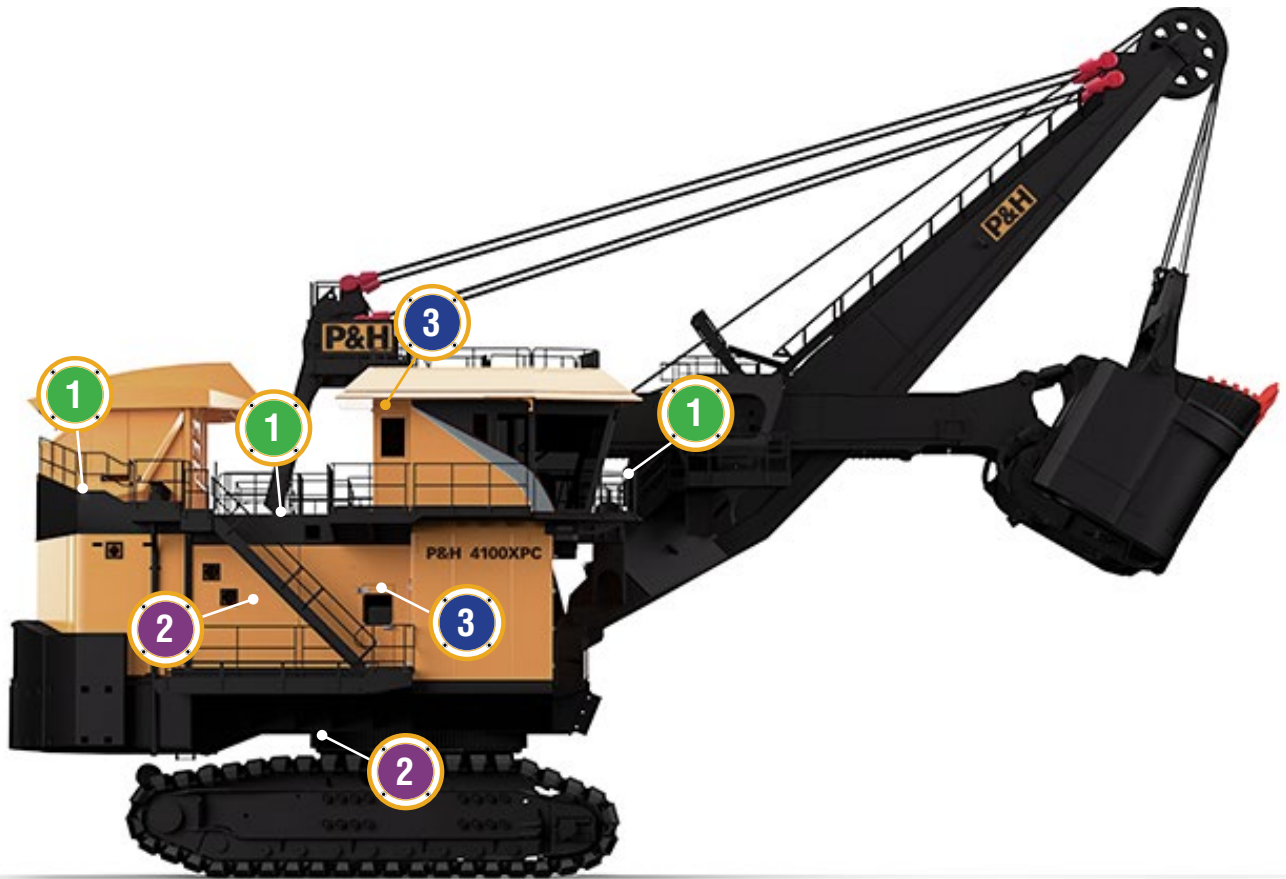


## SOLUTION

Vision X Lighting creates a complete breakdown of the customer's specific needs to meet their safety requirements.



# SHOVEL LIGHTING FITOUT GUIDE SAMPLE



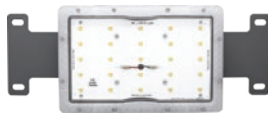
## 1 AC FLOOD



WORK AREA LIGHTING  
**AC FLOOD SERIES WORK LIGHT**

Number of Fixtures : **10-12**  
Location : **House, Boom**  
Beam Pattern : **90° Wide Flood**  
Part # : **LSG066090PH**

## 2 AC J-BOX



HOUSE & TRACK LIGHTING  
**J-BOX SERIES WORK LIGHT**

Number of Fixtures : **4-6**  
Location : **Interior House, Track**  
Beam Pattern : **180° Ultra Wide Flood**  
Part # : **LSG0225180PH**

## 3 JBOX 10W



EQUIPMENT & OVER-DOOR LIGHTING  
**AC-SERIES WORK LIGHT**

Number of Fixtures : **2-4**  
Location : **Over-Door**  
Beam Pattern : **180° Ultra Wide Flood**  
Part # : **LSGSM40180PH**



# SHOVEL KILL ZONE LIGHTING FITOUT GUIDE SAMPLE



## 4 UMX-40



SAFETY | KILLZONE LIGHTING  
**XIL-SERIES WORK LIGHT**

Number of Fixtures : **Equipment Specific**  
Location : **L, R, Rear Sides**  
Beam Pattern : **30/65° Elliptical**  
Part # : **XIL-UM40E3065R**

## POWER SUPPLY



P-JBOXPSE



XPC-PS185-48A



# SHOVEL & DRAGLINE LIGHTING

## Product Information

Designed to directly bolt in, these OEM replacements will out perform the factory lighting by over 80% on the effective work area. Simple quick connect wiring allows for one time wiring and no further electrical wiring to change the fixture. 3D analysis allows for site specific aiming with our patented ProTrac aiming system. Industry leading LED light output, size, weight and reliability for reduced unscheduled maintenance. **High Voltage Available**

Features and Benefits:

- 1000 Watt Metal Halide Replacement
- ProTrac Aiming System
- IP-68/IP69K Rated



## SPECIFICATIONS

### MECHANICAL

<b>Fixture Weight:</b>	54.6 lbs (24.77kg)
<b>Shipping Weight:</b>	62.60 lbs (28.39kg)
<b>Mounting/Entries:</b>	(1) 3/4" NPT - TOP (2) 3/4" NPT 90° - SIDES (2) 3/4" NPT 45° - SIDES

### TECHNICAL

<b>LED:</b>	XP-LHD(CREE)
<b>Raw Lumens:</b>	36,000 lm
<b>Effective Lumens:</b>	23,400 lm
<b>Wattage:</b>	280W
<b>Amp Draw:</b>	2.43A @ 115V AC   1.22A @ 230V AC   1.01A @ 277V AC
<b>Color Temperature:</b>	5,000 Kelvin
<b>Operating Voltage:</b>	90-305V AC   High Voltage 127-431V AC
<b>Operating Temperature:</b>	-40°C ~ 60°C
<b>Lifespan:</b>	50,000 hrs
<b>Frequency:</b>	47-63Hz
<b>THD:</b>	<20% (@load≥50% / 115VAC,230VAC) (@load≥75% / 277VAC)
<b>Power Factor:</b>	≥ 0.98/115VAC ≥ 0.95/230VAC ≥ 0.92/277VAC
<b>Short Circuit:</b>	Constant Current Limiting, Recovers Automatically After Fault Condition is Removed

### CONSTRUCTION

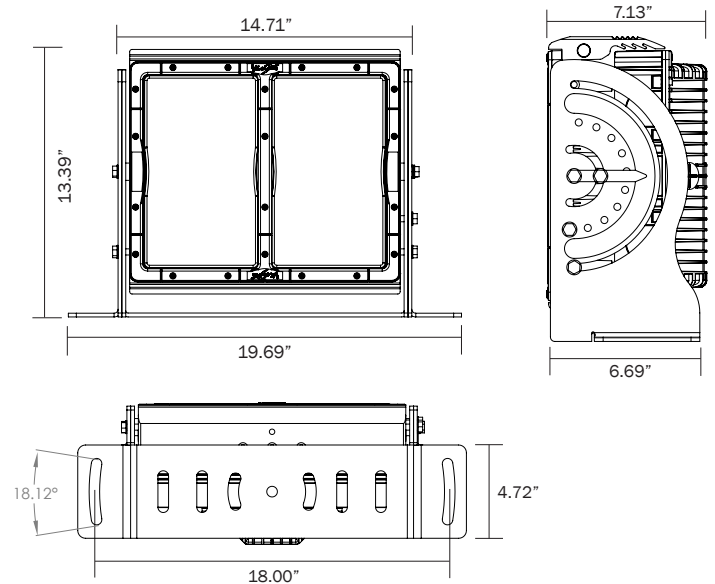
<b>Housing:</b>	Die-Cast 6061 Aluminum
<b>Finish:</b>	Gloss Grey & Gloss Yellow Marine Grade Powder Coat
<b>Lens:</b>	Polycarbonate

### PART #:

### BEAM PATTERN

<b>LSG066010PH</b>	10°
<b>LSG066025PH</b>	25°
<b>LSG066040PH</b>	40°
<b>LSG066060PH</b>	60°
<b>1 LSG066090PH</b>	90°
<b>LSG06603065PH</b>	30/65° (Elliptical)

### 2D DRAWING:



### RATINGS:

<b>EMC Emission:</b>	Compliance to EN55015, EN55022 (CISPR22) Class B, EN61000-3-2 Class C (@Load ≥ 50%); EN61000-3-3
<b>EMC Immunity:</b>	Compliance to EN61000-4-2,3,4,5,6,8,11, EN61547, EN55024, Light Industry Level (surge immunity Line-Earth 4KV, Line-Line 2KV)
<b>Ingress Protection:</b>	IP-68, IP69k
<b>Vibration:</b>	15.6 Grms
<b>Warranty:</b>	3 Years





35  
2800XP-B

P&H  
MinePro  
SERVICES



# HOUSE & TRACK LIGHTING

## Product Information

Interior house and track lighting direct OEM replacement. Simple quick connect wiring allows for one time wiring and no further electrical wiring to change the fixture. Provides 200+ degree lighting other LED fixtures cannot produce. Industry leading LED light output, size, weight and reliability for reduced unscheduled maintenance.

### SPECIFICATIONS

#### Mechanical Information:

<b>Fixture Weight:</b>	8 lbs (3.8kg)
<b>Shipping Weight:</b>	10 lbs (4.5kg)
<b>Mounting/ Entries:</b> (See Accessories)	(6) 3/4" NPT - SIDES

#### Electric Specifications:

<b>Operating Voltage:</b>	90 - 305VAC 127 - 431VDC
<b>Lumens:</b>	6000
<b>Wattage:</b>	50W
<b>Operating Temp:</b>	-40°C - 60°C
<b>THD:</b>	<20% (@load≥50% / 115VAC,230VAC) (@load≥75% / 277VAC)
<b>Power Factor:</b>	≥ 0.98/115VAC ≥ 0.95/230VAC ≥ 0.92/277VAC

**Short Circuit:** Constant Current Limiting, Recovers Automatically After Fault Condition is Removed

**Frequency:** 47-63Hz

**Vibration:** 15.6Grms

#### Construction:

<b>Housing:</b>	Die-Cast 6061 Aluminum
<b>Finish:</b>	Gloss Grey
<b>Lens:</b>	Polycarbonate Lens

#### LED

<b>LED:</b>	MHB-B(CREE)
<b>Amp Draw:</b>	0.43A @ 115VAC 0.22A @ 230VAC 0.18A @ 277VAC
<b>Lifespan:</b>	50,000 hr



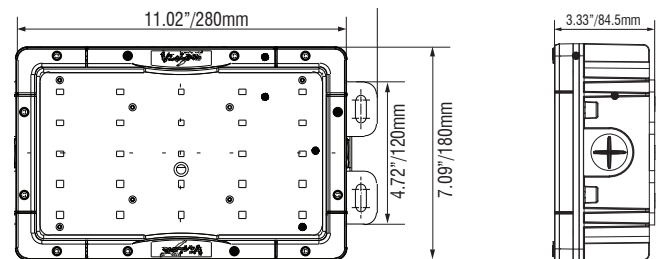
#### PART #:

**2** LSG0224180PH

#### BEAM PATTERN

180°

#### 2D DRAWING:



#### RATINGS:

<b>EMC Emission:</b>	Compliance to EN55022, EN61000-3-2 Class A, EN61000-3-3
<b>EMC Immunity:</b>	Compliance to EN55024, EN61000-4-2,3,4,5,6,8,11; light industry level (surge 2KV), criteria A
<b>Ingress Protection:</b>	IP-68, IP69k







# EQUIPMENT & OVER-DOOR LIGHTING

## Product Information

Direct bolt on over door and access panel lighting. Provides 200+ degree lighting other LED fixtures cannot match. Reduce unscheduled maintenance with robust mounts and guaranteed light operation. Optional colored covers for indicator lighting available in Red, Amber, Blue and Green. Industry leading LED light output, size, weight and reliability for reduced unscheduled maintenance.

## SPECIFICATIONS

### Mechanical Information:

<b>Fixture Weight:</b>	2 lbs (0.9kg)
<b>Shipping Weight:</b>	4 lbs (1.8kg)
<b>Mounting/ Entries:</b> (See Accessories)	(4) 3/4" NPT - SIDES

### Electric Specifications:

<b>Operating Voltage:</b>	90 - 264VAC 127 - 370VDC
<b>Lumens:</b>	1000
<b>Wattage:</b>	10W
<b>Operating Temp:</b>	-40°C ~ 60°C
<b>THD:</b>	<20% (@load≥50% / 115VAC,230VAC) (@load≥75% / 277VAC)
<b>Power Factor:</b>	≥ 0.98/115VAC ≥ 0.95/230VAC ≥ 0.92/277VAC
<b>Short Circuit:</b>	Constant Current Limiting, Recovers Automatically After Fault Condition is Removed
<b>Frequency:</b>	47-63Hz
<b>Vibration:</b>	15.6Grms

### Construction:

<b>Housing:</b>	Die-Cast 6061 Aluminum
<b>Finish:</b>	Gloss Grey
<b>Lens:</b>	Polycarbonate Lens

### LED Light Engine/ Driver

<b>LED:</b>	5630(LG)
<b>Amp Draw:</b>	0.09A @ 115VAC 0.04A @ 230VAC 0.04A @ 277VAC
<b>Lifespan:</b>	50,000 hr



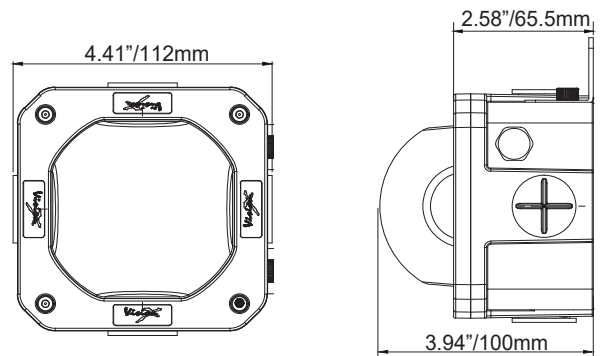
### PART #:

3 LSGSM40180PH

### BEAM PATTERN

180°

### 2D DRAWING:



### RATINGS:

<b>EMC Emission:</b>	Compliance to EN55022, EN61000-3-2 Class A, EN61000-3-3
<b>EMC Immunity:</b>	Compliance to EN55024, EN61000-4-2,3,4,5,6,8,11; light industry level (surge 2KV), criteria A
<b>Ingress Protection:</b>	IP-68, IP69k





# KILLZONE LIGHTING

## Product Information

The Vision X Kill Zone system uses an elliptical pattern and a RED LED to paint a potential "Kill Zone" path around the counter weight of any shovel or can also indicate the swing path of any piece of equipment. This modular system can be scaled to any size or any application.

### SPECIFICATIONS

#### MECHANICAL:

<b>Fixture Weight:</b>	2.65 lbs (1.2kg)
<b>Mounting:</b>	Single Bolt M10

#### ELECTRICAL:

<b>Operating Voltage:</b>	11~65VDC
<b>Wattage:</b>	21W
<b>Operating Temp:</b>	-40°C ~ 85°C
<b>Vibration:</b>	15.6Grms
<b>Connector:</b>	2 Pin Deutsch

#### CONSTRUCTION:

<b>Housing:</b>	Die-Cast 6061 Aluminum
<b>Finish:</b>	Gloss Black
<b>Lens:</b>	Polycarbonate Lens
<b>Bracket:</b>	2.5 mm Stainless Steel

#### LED

<b>LED:</b>	3W (XPG-CREE, RED)
<b>Raw Lumens:</b>	1,596 lm
<b>Amp Draw:</b>	1.75A @ 12v DC   .438A @ 48v DC
<b>Lifespan:</b>	50,000 hrs

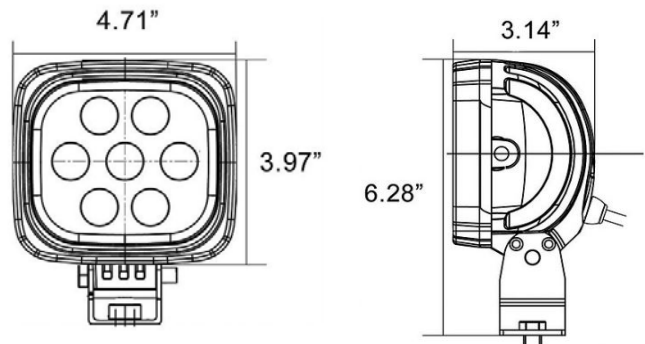
#### RATINGS:

<b>EMC Emission:</b>	(CISPR 25) Edition 3.0 (2008-03) Class 3
<b>Ingress Protection:</b>	IP-68, IP69k
<b>Warranty:</b>	3 Years



PART #:	BEAM PATTERN	HOUSING
<b>4</b> XIL-UM44E3065R	Elliptical 30/60° RED	Square

#### 2D DRAWING:





# KILL ZONE POWER SUPPLY

## Product Information

### Application

For heavy mining equipment running on AC power, this power supply configuration converts AC power to 48v DC to effectively power the UM series lights. A minimum of one power supply is needed for every six UM lights.

### SPECIFICATIONS

#### Technical Information:

<b>Input Voltage:</b>	90-305V AC
<b>Output Voltage:</b>	43-53V DC
<b>Output Amperage:</b>	3.8A @48v DC

#### Electric Specifications:

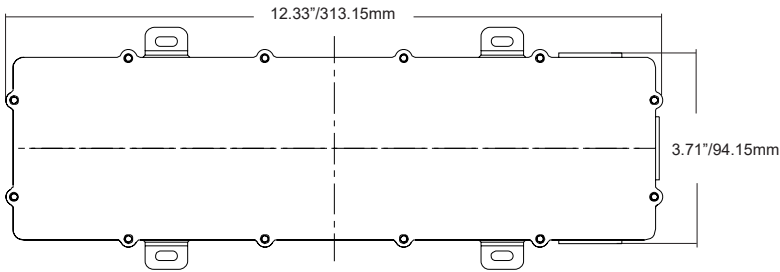
<b>Operating Temp:</b>	-40°C ~ 80°C
<b>Vibration:</b>	10~ 500Hz

#### RATINGS:

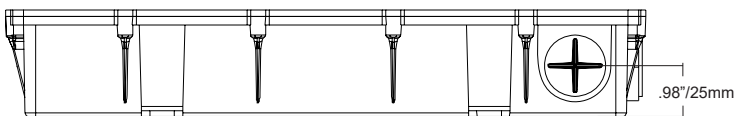
<b>EMC Emission:</b>	Compliance to EN551015, EN55022 (CISPR22) Class B, EN61000-3-2 Class C, EN6100-3-3
<b>Ingress Protection:</b>	IP-67, IP65



ITEM #:	PART#
XPC-PS185-48A	9903309



ITEM #:	PART#
P-JBOXPSE	9132617





**VISION X USA**  
1601 Boundary Blvd  
Auburn WA 98001  
United States of America  
P: 253-218-2900  
[www.vxindustrial.com](http://www.vxindustrial.com)



**VISION X ASIA**  
23-7 Dongtansandan  
9-gil Dongtan-myeon Hwaseong-si  
Gyeonggi-do 18487, Korea  
P: 82-32-515-4814  
[www.visionxlighting.com](http://www.visionxlighting.com)